



## TRAILER WITH ISOTHERMICHAL TANK (ATP), FOR FOOD LIQUIDS, SPECIFIC FOR MILK COLLECTION

### Main liquids transportable

All types of milk and their derivatives, drinking water, ...



#### Capacity

From 9.000 up to  
32.000 litres



#### Insulation

Polyurethane in compliance with ATP  
(Accord Transport Perissable) regulation

### Tank

Cylinder (shell) in stainless steel AISI 304/316 internally polished by tumbling or mirror polished, design for work under vacuum or through centrifugal pump

### Compartments

From only one compartment with wave-breaking up to 5 compartments

### Hatches

D=470 mm insulated hatches, 1 or 4 closing flaps, backpressure regulator

### Coating

Bottoms in fiberglass with naval gelcoat, cylinder (shell) covered in white fiberglass with naval gelcoat or in polished stainless steel

### Drains

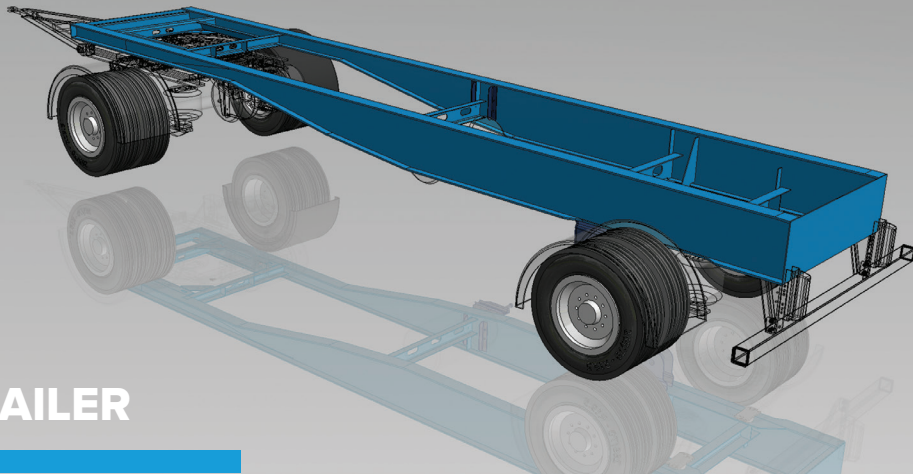
Single or independents, rear and/or side, with stainless steel containment drawers

### General information

Aluminium alloy or in stainless steel anti-slip passageways, stainless steel folding railing manually or pneumatically, stainless steel rear and/or front ladder, stainless steel side protections, contour lights, reflective side and rear stripes, rubber piping specific for milk collection, vacuum pump or centrifugal pump

### Accessories

Deep valves, washing plant CIP (Cleaning in Place), exhaust manifolds, polyurethane insulation of drains, liquid thermometers, drain pump, pipe holder, reduction and fittings, sterile liquid box, level liquid indicators (mechanical or electronics types), silencer, filter, ...



## TRAILER

Trailer with isothermichal tank (ATP),  
for food liquids, specific for milk collection

### Frame

In high-strength steel sandblasted and  
painted, lightened

### Suspension

Air suspension

### Axles

Two 12-ton axles with disc brakes  
D=430 mm, Bpw, SAF or Jost

### Rims

In aluminium alloy

### Tires

N.8 tires 315/80 R22.5" of primary brand

### Electrical system

Electrical system conforming to ADR  
regulations equipped with ECU  
control unit

### Accessories

PVC or stainless steel dome fenders with  
anti-spry, aluminum alloy side protections, a stain-  
less steel toolbox, door spare wheel winch, stain-  
less steel rear bumper with integrated lights, ...

### T.M.

22.000kg

### Trailer variant

12-ton three-axle version trailer with disc brakes  
D=430 mm Bpw, SAF or ROR

### Tires

N.12 tires 315/80 R22.5" of primary brand

### T.M.

26.000kg



**Santi S.r.l.**

Via del Commercio 2  
25039 Travagliato (Brescia)  
ITALY

Tel. +39 030 68 64 266  
E-mail: [commerciale@santicisterne.it](mailto:commerciale@santicisterne.it)  
Web: [www.santicisterne.it](http://www.santicisterne.it)

