



TRAILER WITH PRESSURE (PED) ISOTHERMIC TANK, FOR NON-FOOD AND NON-DANGEROUS LIQUIDS

Main liquids transportable

All non-food and dangerous liquids, who are not in compliance with the ADR accord



Capacity

From 16.500 up to
24.500 litres



Insulation

Polyurethane in high density

Tank

Cylinder (shell) in stainless steel AISI 304/316 internally polished by tumbling or mirror polished in compliance with PED (Pressure Equipment Directive) european directive.
Test pressure 3,00 bar, working pressure 2,00 bar

Compartments

From only one compartment with wave-breaking up to 5 compartments

Coating

Bottoms in fiberglass with naval gelcoat, cylinder (shell) covered in white fiberglass with naval gelcoat or in polished stainless steel

General information

Aluminium alloy or in stainless steel anti-slip passageways, stainless steel folding railing manually or pneumatically, stainless steel rear and/or front ladder, stainless steel side protections, contour lights, reflective side and rear stripes, air piping, ...

Deep valves

D=100 mm valves with manual top or ground control and alternatively with pneumatic control

Hatches

D=500 mm insulated hatches, 4 closing flaps, safe valves, rubber drains, stainless steel containment box and closing doors

Drains

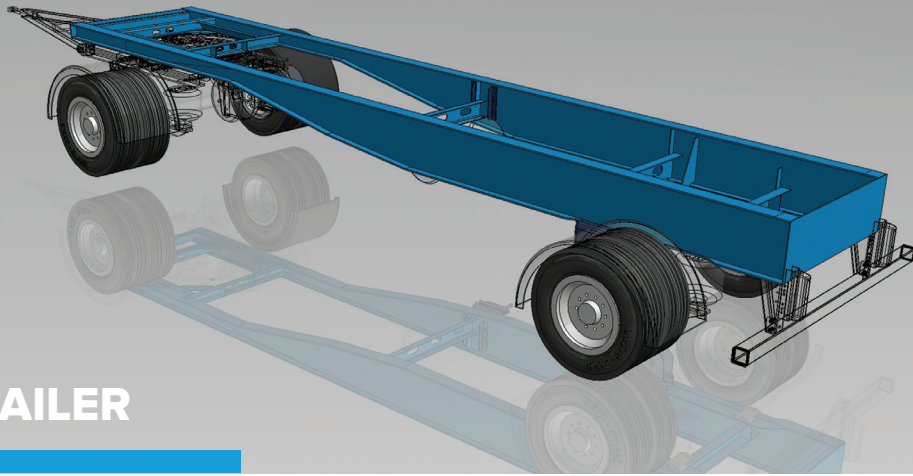
Single or independents, rear and/or side, with stainless steel containment drawers

Accessories

Washing plant CIP (Cleaning in Place), exhaust manifolds, polyurethane insulation of drains, liquid thermometers, drain pump, pipe holder, reduction and fittings, sterile liquid box, ...

Variants

Stainless steel ducts for tank heating with burner installed on the semi-trailer or with steam connections, ...



TRAILER

Trailer with pressure (PED) isothermical tank, for non-food and non-dangerous liquids

Frame

In high-strength steel sandblasted and painted, lightened

Suspension

Air suspension

Axles

Two 12-ton axles with disc brakes
D=430 mm, Bpw, SAF or Jost

Rims

In aluminium alloy

Tires

N.8 tires 315/80 R22.5" of primary brand

Electrical system

Electrical system conforming to ADR regulations equipped with ECU control unit

Accessories

PVC or stainless steel dome fenders with anti-spry, aluminum alloy side protections, a stainless steel toolbox, door spare wheel winch, stainless steel rear bumper with integrated lights, ...

T.M.

22.000kg

Trailer variant

12-ton three-axle version trailer with disc brakes
D=430 mm Bpw, SAF or ROR

Tires

N.12 tires 315/80 R22.5" of primary brand

T.M.

26.000kg



Santi S.r.l.

Via del Commercio 2
25039 Travagliato (Brescia)
ITALY

Tel. +39 030 68 64 266
E-mail: commerciale@santicisterne.it
Web: www.santicisterne.it

